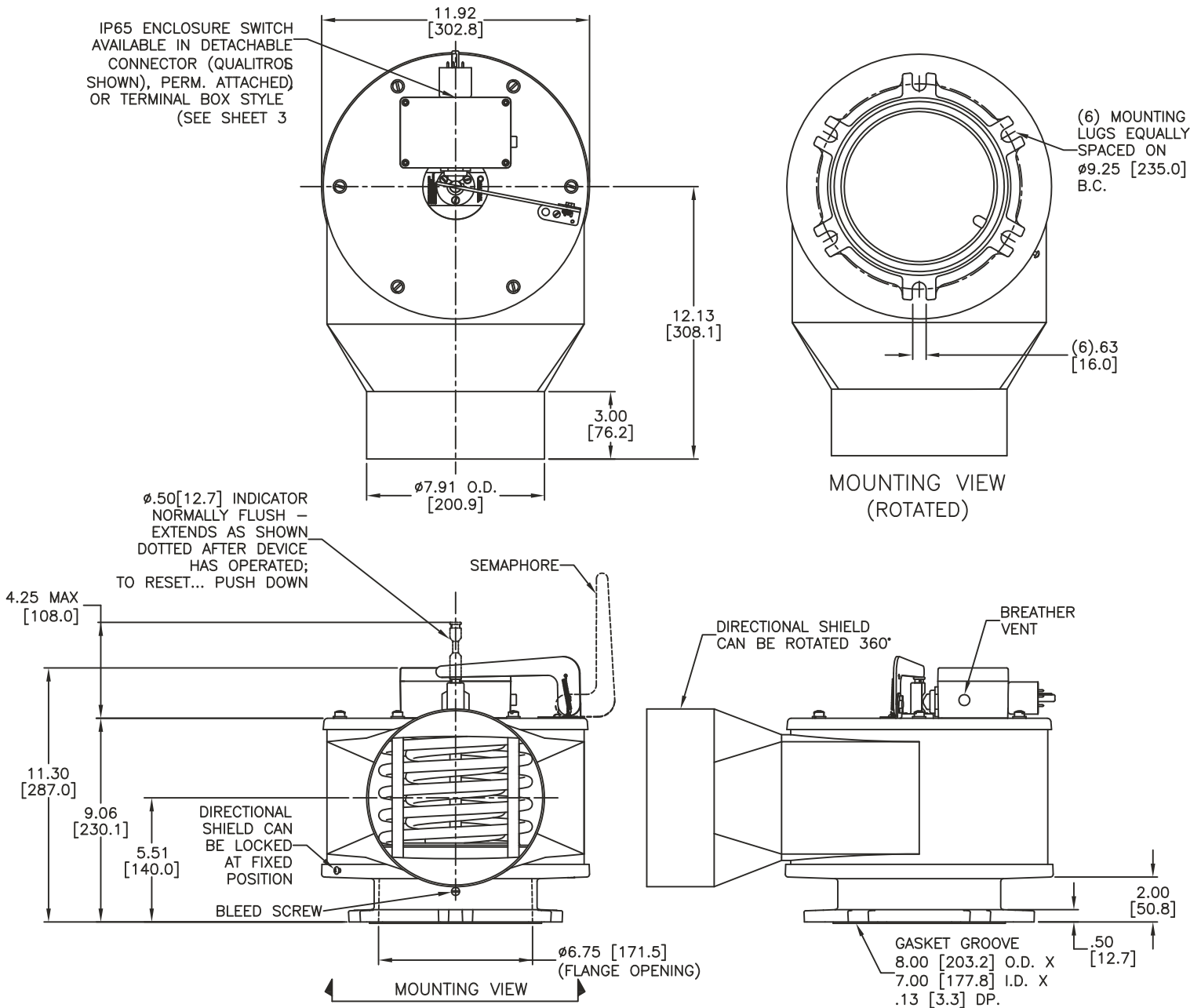




Информация о товаре



NOTES: (UNLESS OTHERWISE SPECIFIED)

1. DIMENSIONS ARE FOR REFERENCE AND SHOWN IN INCHES (MILLIMETERS).
2. OPERATING PRESSURE, GASKET MATERIAL, AND SWITCH OPTIONS ARE SPECIFIED ON ORDER.
3. INDICATOR COLOR: YELLOW FOR NITRILE, BLUE FOR VITON
4. SEMAPHORE COLOR: YELLOW.
5. STRUCTURAL MATERIAL: ALUMINUM AND STAINLESS STEEL.
6. OPERATING PRESSURE TOLERANCES: ±1 PSI FOR 4–14 PSI/0.28–0.97 BAR
±2 PSI FOR 15–20 PSI/1.03–1.38 BAR.
7. ALL SWITCH ENCLOSURES ARE FREE BREATHING.



Customer Name & Reference:

Specify

<input type="checkbox"/> XPRD only
<input type="checkbox"/> Alarm Switch only
<input type="checkbox"/> Both

Operating Pressure Psi / Bar

<input type="checkbox"/> 4.0 / 0.28	<input type="checkbox"/> 8.0 / 0.55	<input type="checkbox"/> 14.0 / 0.97
<input type="checkbox"/> 5.0 / 0.34	<input type="checkbox"/> 10.0 / 0.69	<input type="checkbox"/> 15.0 / 1.03
<input type="checkbox"/> 6.0 / 0.41	<input type="checkbox"/> 12.0 / 0.83	<input type="checkbox"/> 17.0 / 1.17
<input type="checkbox"/> 7.0 / 0.48	<input type="checkbox"/> 13.0 / 0.90	<input type="checkbox"/> 20.0 / 1.38

Semaphore

<input type="checkbox"/> Yellow - Polycarbonate (Std.)
<input type="checkbox"/> Yellow - Aluminum

Special Options

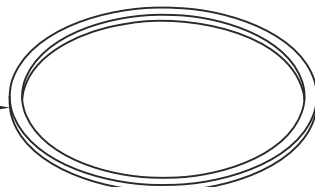
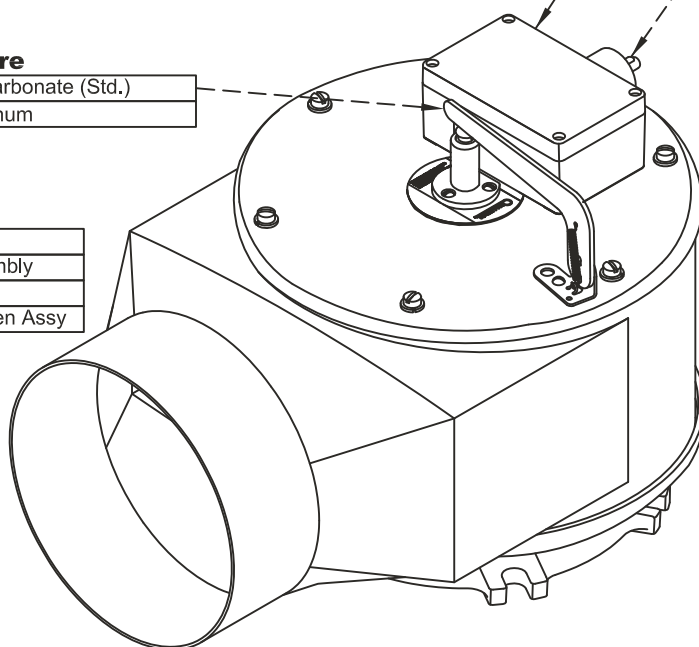
<input type="checkbox"/> None
<input type="checkbox"/> SCN-600-1 - Screen Assembly
<input type="checkbox"/> Offshore Extreme
<input type="checkbox"/> Offshore Extreme w/ Screen Assy

Gasket Material

<input type="checkbox"/> Nitrile
<input type="checkbox"/> Viton
<input type="checkbox"/> Silicone

Mounting Gasket

<input type="checkbox"/> None supplied (Std.)
<input type="checkbox"/> One supplied
<input type="checkbox"/> Two supplied



Switch Type

(free breathing terminal box only)

<input type="checkbox"/> SPDT (Std.)	10 Amp @ 125/250 VAC (Std.)
<input type="checkbox"/> SPDT - Hi DC	10 Amp @ 125 VDC, 3 Amp @ 250 VDC
<input type="checkbox"/> SPDT - Gold	0.10 Amp @ 125 VAC
<input type="checkbox"/> DPDT	10 Amp @ 125/250 VAC

Connection Styles

(refer to device wiring & connector styles)

<input type="checkbox"/> Qualitrol (detachable)
<input type="checkbox"/> ANSI (detachable)
<input type="checkbox"/> Perm. Attached
<input type="checkbox"/> Terminal Box

Device Wiring

(refer to device wiring & connector styles)

--	--	--	--

Connector Nut Style

(refer to device wiring & connector styles)

--

External Wiring

(refer to device wiring & connector styles)

<input type="checkbox"/> Cable	<input type="checkbox"/> 16 Ga. SOW-A/SO (Std.)
	<input type="checkbox"/> Other (consult factory)
<input type="checkbox"/> Flying Leads	<input type="checkbox"/> 16 Ga. TEW (Std.)
	<input type="checkbox"/> 16 Ga. TEF
	<input type="checkbox"/> 14 Ga. TEW
<input type="checkbox"/> None	
<input type="checkbox"/> Connector Parts Only	

Length of Cable or Flying Leads

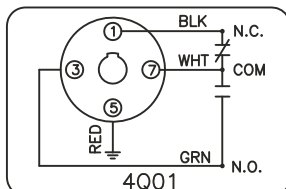
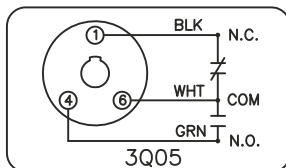
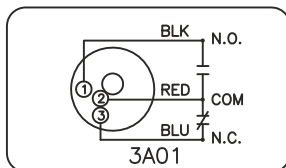
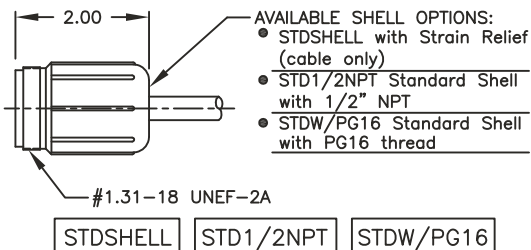
<input type="checkbox"/> Inches	<input type="checkbox"/> Meters
Specify 6" increments	Can be specified to 0.1 m
Length	



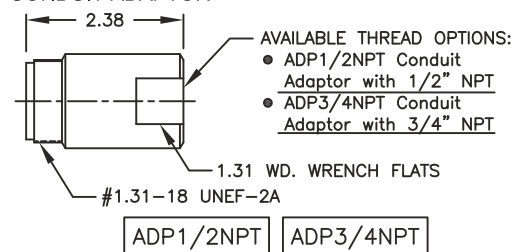
NOTE: IN ORDER TO ASSURE PROPER SWITCH ORIENTATION, USE ONLY TERMINAL BOX AND STD SHELL CONNECTION STYLES ON VERTICALLY MOUNTED INSTALLATIONS – THE SHIELD IS NOT FULLY 360° POSITIONABLE OTHERWISE.

CONNECTOR NUT STYLES AND DEVICE WIRING FOR QUALITROL AND ANSI DETACHABLE CONNECTORS

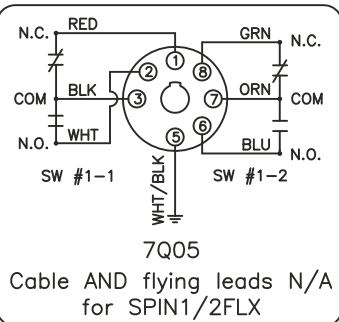
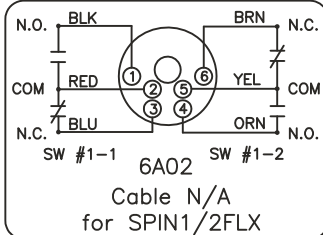
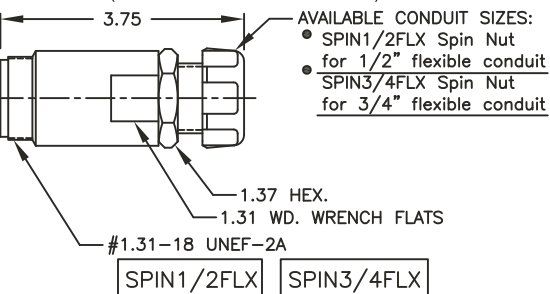
STANDARD NUT



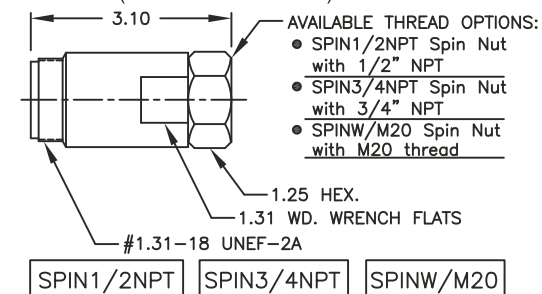
CONDUIT ADAPTOR



SPIN NUT (FLEX CONDUIT ADAPTOR)

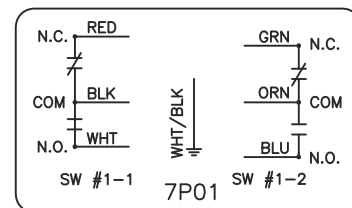
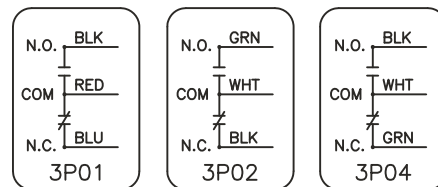
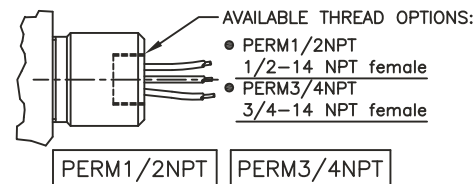


SPIN NUT (CONDUIT ADAPTOR)

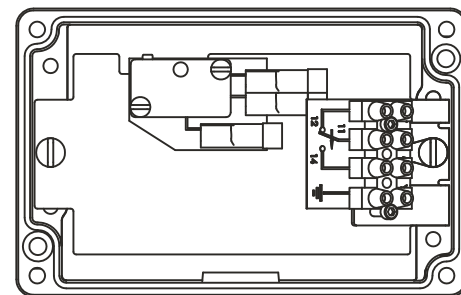


CONNECTOR NUT STYLES AND DEVICE WIRING FOR PERMANENTLY ATTACHED CABLES AND WIRES

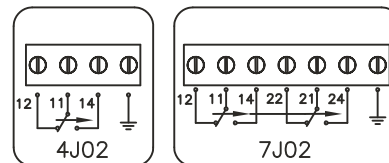
FEMALE CONDUIT CONNECTION



DEVICE WIRING FOR TERMINAL BOX
TERMINAL BOX: 1 & 2 SWITCH W/ GROUND
(1 SWITCH VERSION SHOWN)



CABLE ENTRY:
FITTED W/ PG-16
ACCOMMODATES CABLE
GRIP OR 1/2 CONDUIT
FITTING W/ LOCKNUT



ALL WIRING SHOWN AS VIEWED FROM OUTSIDE OF ENCLOSURE. ALL SWITCH FUNCTIONS SHOWN IN NON-ALARM STATE. STD. CABLE IS 16 GA. TYPE SOW-A/SO. STD. FLYING LEADS ARE 16 GA. TYPE TEW.